

1

2

3

4

5

6

A

A

B

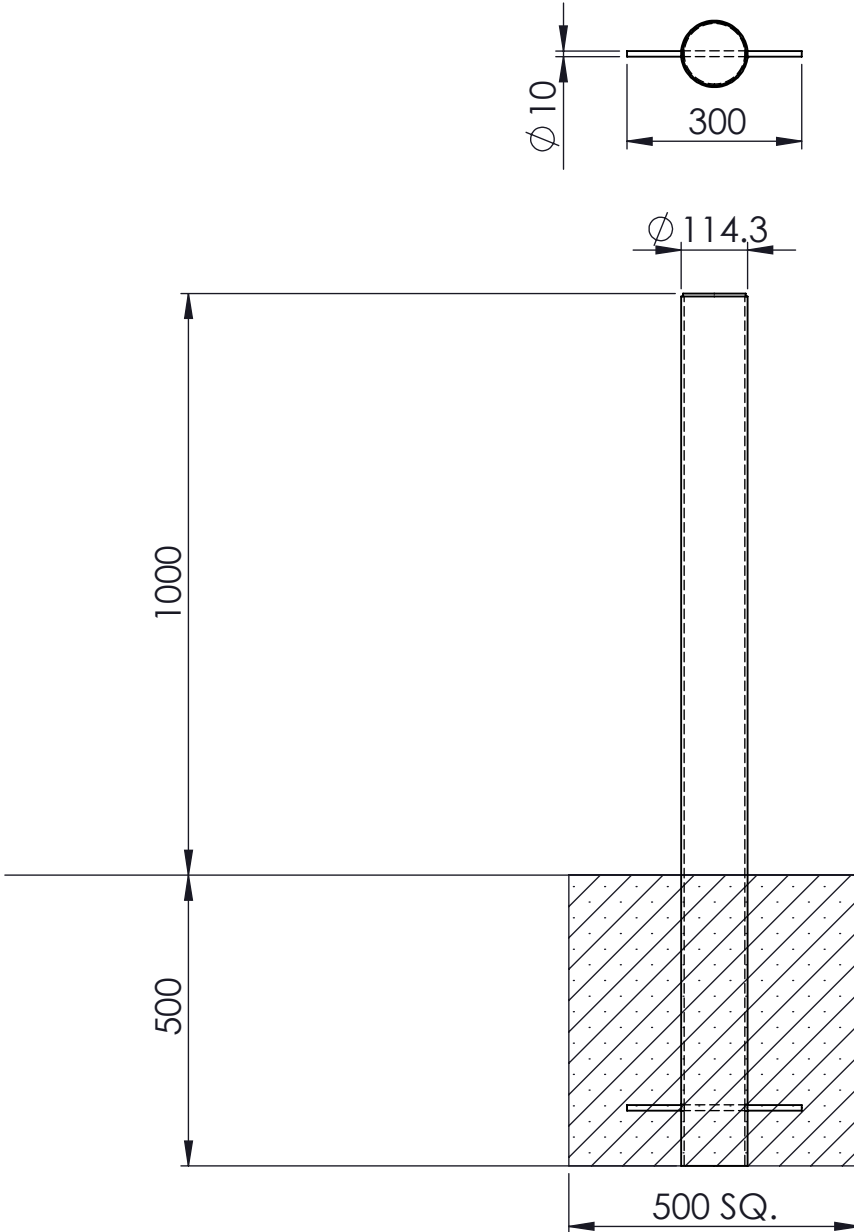
B

C

C

D

D



PRODUCT SPECIFICATION

MATERIAL:
GRADE S235 MILD STEEL, 5mm WALL

FINISH:
HOT DIP GALVANISED -
BS EN 150 1461 (1999),
available with,
POLYESTER POWDER COATING

WEIGHT:
20.7 KG Approx

EXTRAS:
Bollards in this range can come with the following:
- Flat or semi-domed cap
- Turned grooving
- Hazard class 2 reflective banding
- Chain connections

ROOT FIXED INSTALLATION:
1. Determine suitable location for bollard. Perform visual checks, scan and check drawings for utilities/live cabling.
2. Evacuate cubed foundation for bollard. (Guidance: See Drawing)
3. Locate bollard centrally in evacuation hole, cast C30 concrete or similar medium slump around bollard. Ensure bollard is vertical in all planes. Pour concrete into bollards with separate caps, fill to brim then cap.
4. Allow the foundation to cure. Concrete should be protected by polythene during the first 24 hours following installation.

Foundation sizes given are for customer guidance and suited to sub-soils with good load bearing capabilities. Where adverse site conditions are met professional advice to be sought.

For operation and maintenance please refer to the **Marshalls Street Furniture Maintenance Guide**.

A	FIRST ISSUE	15/10/13	MB
RevNo	Revision Note	Date	Signature

Title:
RB101 114x1500 WFC RF STANDARD

Drawing No:
PS-RH-BL-10046/50



P.O. Box 6, High Flatworth,
Tyne Tunnel Trading Estate
North Shields,
Tyne and Wear,
NE29 7SJ
Tel: (0870) 600 2425
Fax: (0191) 256 8041

Unless otherwise stated:
ALL DIMENSIONS ARE IN
MILLIMETERS

This drawing is the sole property and copyright of Marshalls Street Furniture and may not be disclosed to any third party or reproduced in whole or in part without the prior written consent of an authorised representative of the company.

Marshalls PLC reserves the right to change the specifications of products noted above at any time and without notice.

DO NOT SCALE DRAWING
Scale: N.T.S. Sheet: 1 of 1
A4

1

2

3

4

5

6